

# CONTROLLER INTERFACE TYPE D

## PARTS CATALOG

**PARTS CATALOG**

**INTRODUCTION**

This chapter instructs you the numbers and names of parts on this machine.

**INDEX to PARTS CATALOG**

# **CONTROLLER INTERFACE TYPE D**

# CONTROLLER INTERFACE TYPE D

## **PARTS CATALOG**

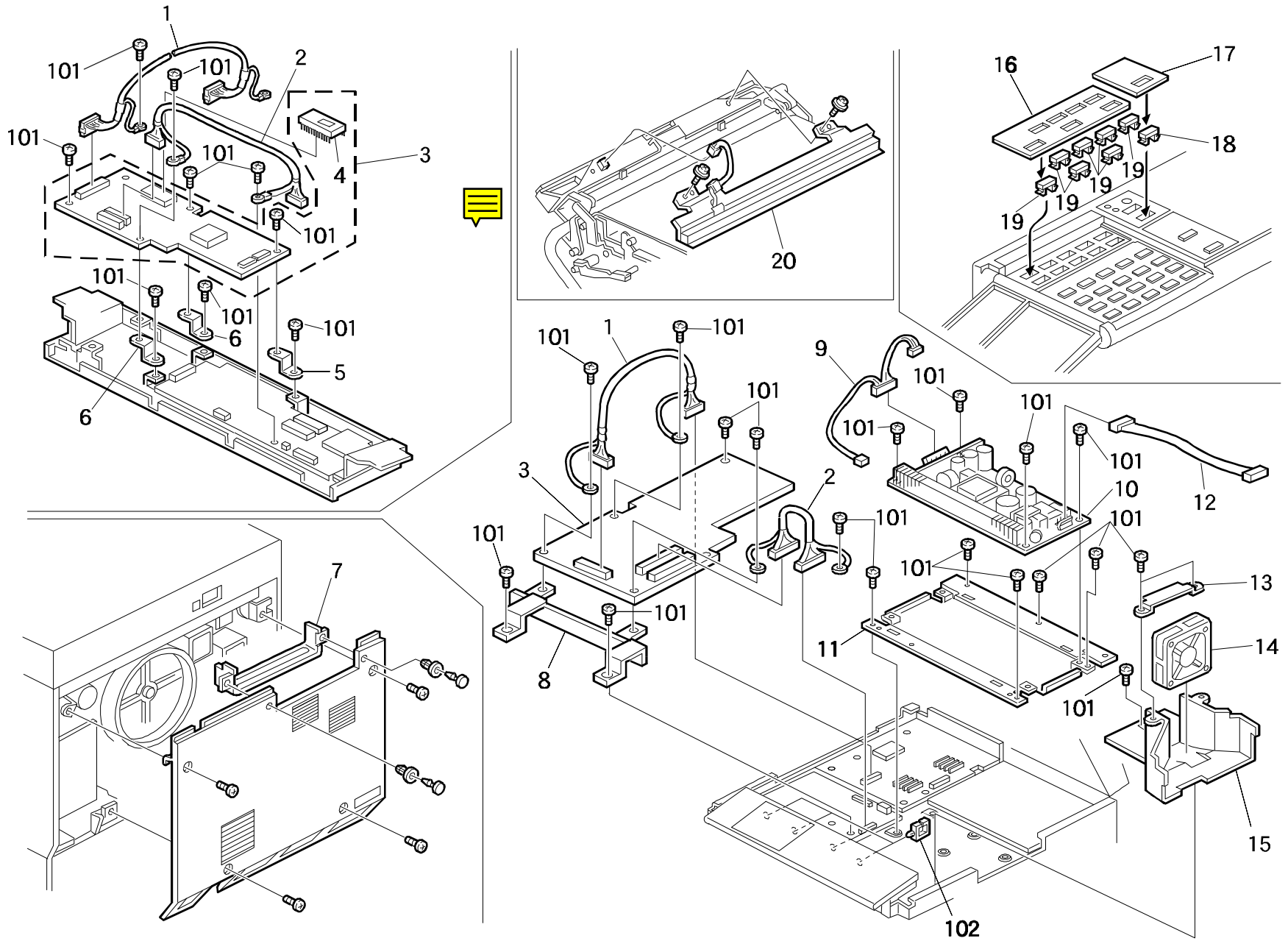
### **INTRODUCTION**

This chapter instructs you the numbers and names of parts on this machine.

### **INDEX to PARTS CATALOG**


<b>1.CONTROLLER INTERFACE TYPE D</b>	
<b>(A624-17)</b>	<b>2</b>
<b>PARTS INDEX</b>	<b>5</b>

# 1. CONTROLLER INTERFACE TYPE D (A624-17)




1. CONTROLLER INTERFACE TYPE D (A624-17)

Index No.	Part No.	Description	Q'ty Per Assembly
1	A624 6500	CIVIC I/F Cable	1
2	A624 6503	SCSI Harness	1
3	A624 7005	EXU Board	1
4	A624 6708	ROM:EXU	1
5	A624 1206	EXU Long Bracket	1
6	A624 1205	EXU Short Bracket	1
7	A624 1208	Conector Bracket	1
8	A624 1207	EXU Edit Bracket	1
9	A624 6501	DC Harness	1
10	AZ24 0039	PSU 92W 100/220V	1
11	A624 1211	PSU Bracket	1
12	A624 6502	AC Harness	1
13	A624 1201	Fan Motor Bracket	1
14	AX64 0077	Fan Motor DC 12V/1.44W	1
15	A624 1200	Fan Motor Duct	1
16	A624 1300	Large Key Top Decal - NA (115V)	1
16	A624 1302	Large Key Top Decal - EU (230V)	1
17	A624 1301	Small Key Top Decal - NA (115V)	1
17	A624 1303	Small Key Top Decal - EU (230V)	1
18	A624 1209	Long Key Top	1
19	A624 1210	Short Key Top	1
20	A624 6161	PTL	1



Index No.	Part No.	Description	Q'ty Per Assembly
101	0313 0050B	Philips Pan Head Screw - M3x5	
102	1105 0230	Clamp	



# **PARTS INDEX**

Part No.	Description	Page and Index No.
A624 1200	Fan Motor Duct	3- 15
A624 1201	Fan Motor Bracket	3- 13
A624 1205	EXU Short Bracket	3- 6
A624 1206	EXU Long Bracket	3- 5
A624 1207	EXU Edit Bracket	3- 8
A624 1208	Conector Bracket	3- 7
A624 1209	Long Key Top	3- 18
A624 1210	Short Key Top	3- 19
A624 1211	PSU Bracket	3- 11
A624 1300	Large Key Top Decal - NA (115V)	3- 16
A624 1301	Small Key Top Decal - NA (115V)	3- 17
A624 1302	Large Key Top Decal - EU (230V)	3- 16
A624 1303	Small Key Top Decal - EU (230V)	3- 17
A624 6161	PTL	3- 20
A624 6500	CIVIC I/F Cable	3- 1
A624 6501	DC Harness	3- 9
A624 6502	AC Harness	3- 12
A624 6503	SCSI Harness	3- 2
A624 6708	ROM:EXU	3- 4
A624 7005	EXU Board	3- 3

Part No.	Description	Page and Index No
AX64 0077	Fan Motor DC 12V/1.44W	3- 14
AZ24 0039	PSU 92W 100/220V	3- 10



Part No.	Description	Page and Index No.
0313 0050B	Philips Pan Head Screw - M3x5	3-101
1105 0230	Clamp	3-102

Part No.	Description	Page and Index No